

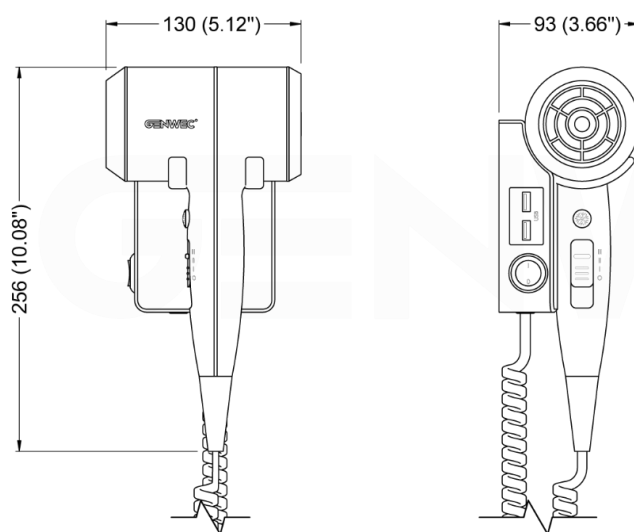
GW02 08 "BISE" Ionic hair dryer 1800W



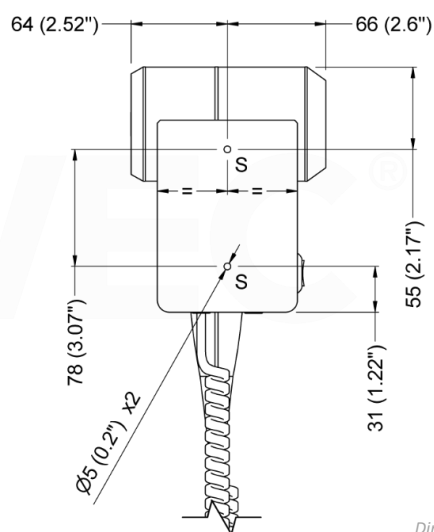
GW02 08 01 00 – White



GW02 08 01 03 – Matt black



BACK VIEW WALL MOUNTING



Dimensions: $\pm 3\%$

TECHNICAL DATASHEET

COMPONENTS AND MATERIALS

- Main body and base – Made of high impact ABS plastic.
- Protection grid – Made of polycarbonate.
- Fixing kit: Two 6mm wall plugs, two 4mm screws.

OPERATION

The base of the dryer has a general switch on the side with a pilot light next to it that indicates if it is on. On the back of the gun handle it has a switch with three positions, "I" – low speed/low heating element (total power 500W), "II" - high speed/medium heating element (total power 1005W) "III" - high speed/max heating element (total power 1800W). It has a button on the handle to turn off the heating element and get a cold flow of air.

The unit is supplied with an air concentrator than can be easily fixed by the user if needed and 2 USB sockets in the wall support.

MOUNTING

Fix the hair dryer to the wall using the supplied screws. Always follow step by step the assembly instructions that you will find in the "Installation and assembly manual" supplied with the unit.

ARCHITECTURAL SPECIFICATION

Genwec GW02 08 01 00 Ionic hair dryer black colour wall mount, must be made of high resistance ABS. Unit must incorporate ion technology for a faster dry. It must be able to provide an air flow of 120 m³/h at a speed of 59 km/h generated by a direct current motor of 10,000 r.p.m. It must have a total power of 1800W at 220-240V - 50/60Hz and a projection protection Index IPX1 Class II. The heating element must be 1202W - 230V with a thermal limiter. Unit will be supplied with two USB sockets in the wall support and an air concentrator.

The hair dryer must have a 2-year limited manufacturer's warranty on materials

SPARE PARTS

GW02 08 90 00 – Fixings kit