

BATHROOM ACCESSORIES GW05 51 04 02 "CRETA SERIES" glass shelf



Product description

Glass shelf
Material: AISI 304 stainless steel
Finish: Chrome plated
Tumbler made of glass in acid matte finish
Creta Series

Technical specifications:

"Creta Series" tumbler holder. The product consists of two wall mounts, two wall plates covering the wall mounts and a glass shelf. The shelf, which is made of transparent pressed glass. The wall plates are made of AISI 304 stainless steel and have a diameter of 64,5mm. The wall mounts, made of steel, have two holes so they can be fixed to the wall by means of screws. The assembled set has a chrome plate finishing that provides it an appropriate resistance against corrosion. The product is anchored by means of 4 nylon wall plugs and 4 screws. The overall dimensions of the product are 520 x 64,5 x 133 mm.

The bathroom accessory model is GW05 51 04 02, manufactured by GENWEC WASHROOM S.L. - Av. Joan Carles I, 46-48 08908 L'Hospitalet de Llobregat.

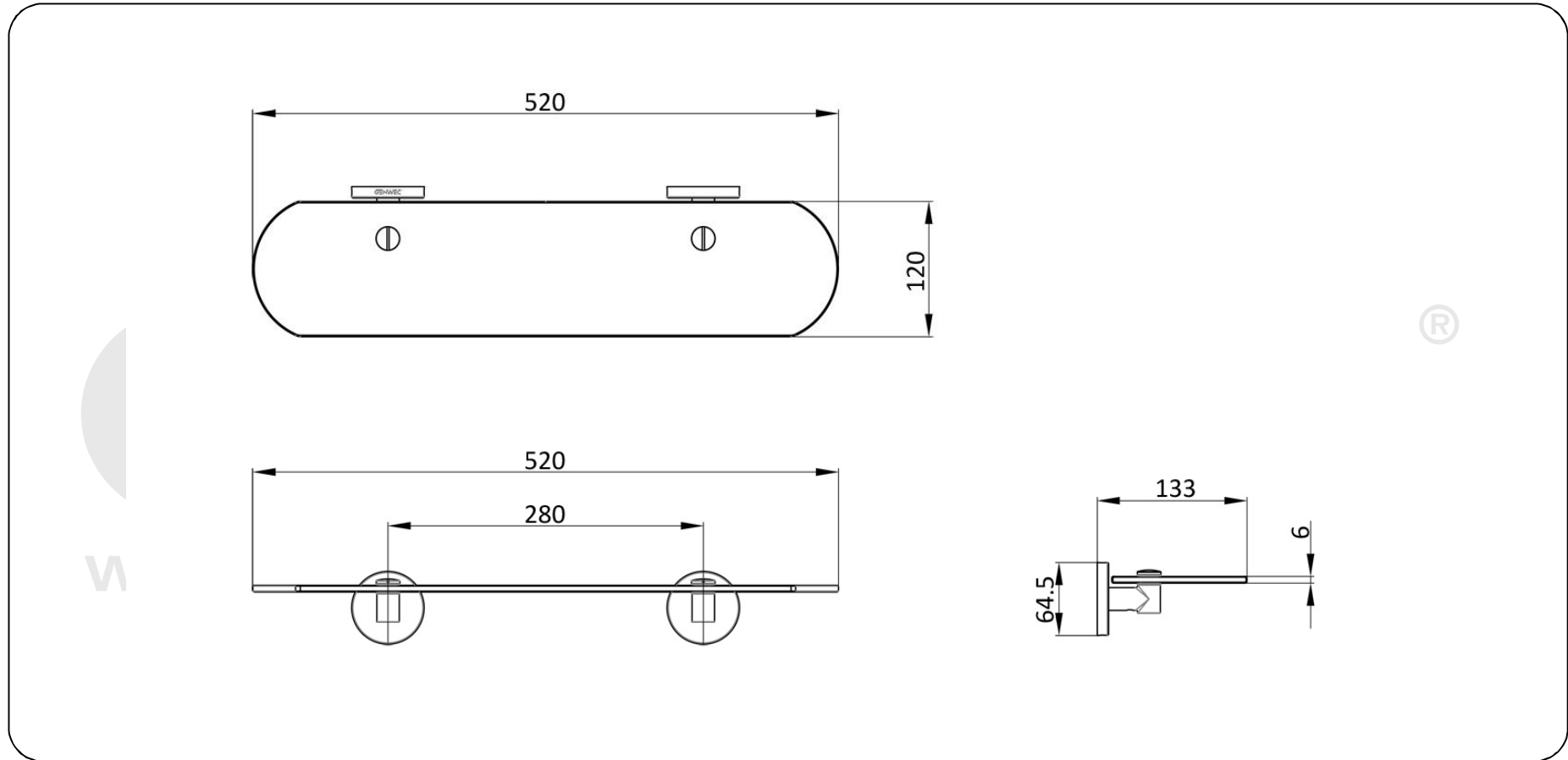
Technical characteristics

Product specifications

- Shelf made of transparent pressed glass.
- Wall plates made of AISI 304 stainless-steel with a 64,5 mm diameter.
- The metal parts have a chrome plate finishing that provides them an appropriate resistance against corrosion.

Packaging specifications

- Type of individual package: Individual cardboard box and bubble wrap.



Cleaning: A cotton cloth slightly dampened in a soapy solution is recommended. Then dry off.