

BATHROOM ACCESSORIES **GW05 50 04 02 "CRETA SERIES" double towel bar**



Product description

Double towel bar
Material: AISI 304 stainless steel
Finish: Chrome plated
Creta Series

Technical specifications:

"Creta Series" double towel bar. The product consists of a wall mount, two wall plates covering the wall mounts and a double bar for towels. The bars are made of AISI 304 stainless-steel and is fixed to the ends of the central cylinders by means of screws. The wall plates are made of AISI 304 stainless steel and have a diameter of 64,5mm. The wall mounts, made of steel, have two holes so they can be fixed to the wall by means of screws. The assembled set has a chrome plate finishing that provides it an appropriate resistance against corrosion. The product is anchored by means of 4 nylon wall plugs and 4 screws. The overall dimensions of the product are 64,5x664,5x120mm. The bathroom accessory model is GW05 50 04 02, manufactured by GENWEC WASHROOM S.L. - Av. Joan Carles I, 46-48 08908 L Hospitalet de Llobregat.

Technical characteristics

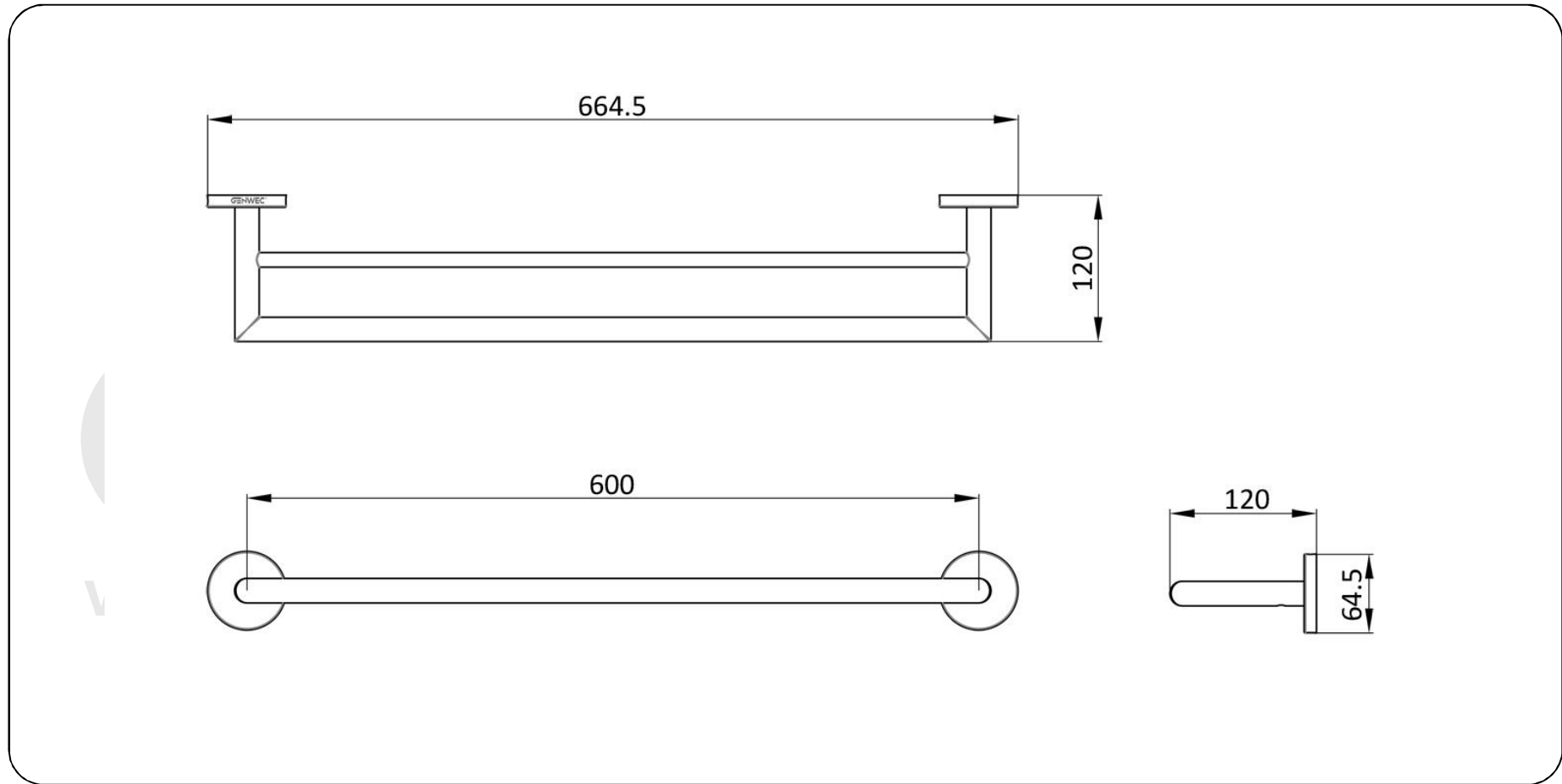
Product specifications

- Bars made of AISI 304 stainless steel.
- Wall plates made of AISI 304 stainless-steel with a 64,5 mm diameter.
- The metal parts have a chrome plate finishing that provides them an appropriate resistance against corrosion.

Packaging specifications

- Type of individual package: Individual cardboard box and bubble wrap.

BATHROOM ACCESSORIES **GW05 50 04 02 "CRETA SERIES" double towel bar**



Cleaning: A cotton cloth slightly dampened in a soapy solution is recommended. Then dry off.