

BATHROOM ACCESSORIES **GW05 47 04 02 "CRETA SERIES" double paper holder**



**Product description**

Towel ring.  
Material: AISI 304 stainless steel  
Finish: Chrome plated  
Creta Series

**Technical specifications:**

"Creta Series" towel ring. The product consists of a wall mount, a wall plate covering the wall mount and a ring for towels. The ring, made of AISI 304 stainless steel, moves freely on the axle of the central cylinder. The wall plate is made of AISI 304 stainless steel and has a diameter of 64,5mm. The wall mount, made of steel, has two holes so it can be fixed to the wall by means of screws. The assembled set has a chrome plate finishing that provides it an appropriate resistance against corrosion. The product is anchored by means of 2 nylon wall plugs and 2 screws. The overall dimensions of the product are 160 x 170 x 56 mm. The bathroom accessory model is GW05 47 04 02, manufactured by GENWEC WASHROOM S.L. - Av. Joan Carles I, 46-48 08908 L'Hospitalet de Llobregat.

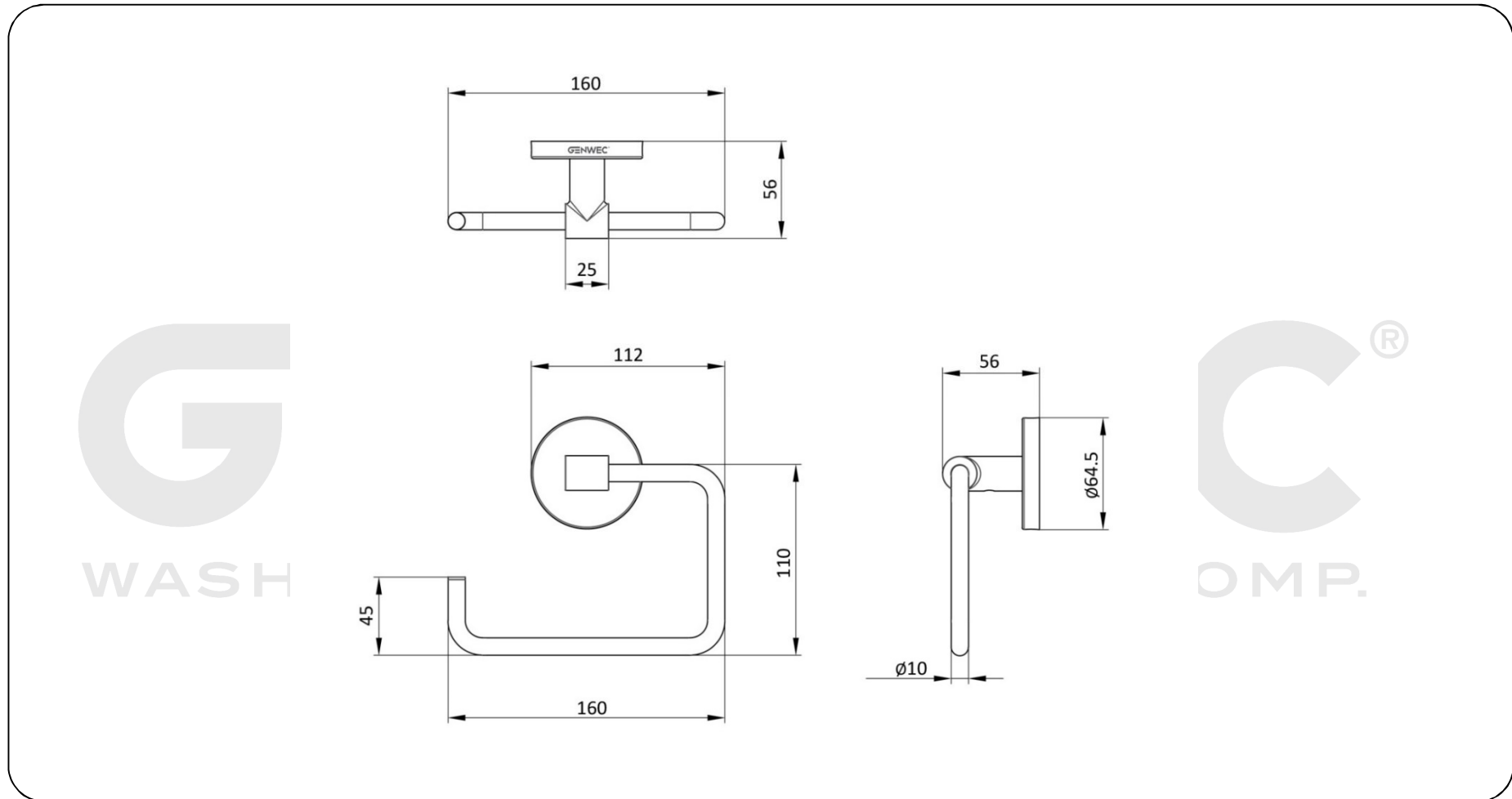
**Technical characteristics**

**Product specifications**

- Ring made of AISI 304 stainless steel.
- The thing moves freely on the axle of the central cylinder.
- Wall plate made of AISI 304 stainless-steel with a 64,5 mm diameter.
- The metal parts have a chrome plate finishing that provides them an appropriate resistance against corrosion.

**Packaging specifications**

- Type of individual package: Individual cardboard box and bubble wrap.



**Cleaning:** A cotton cloth slightly dampened in a soapy solution is recommended. Then dry off.